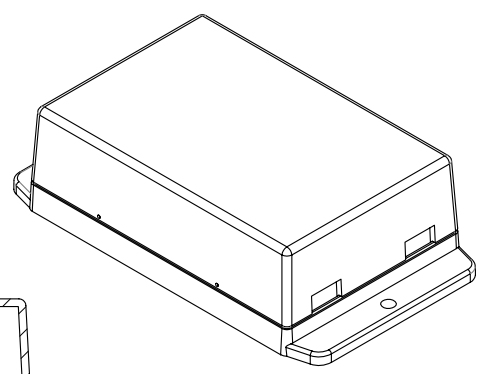
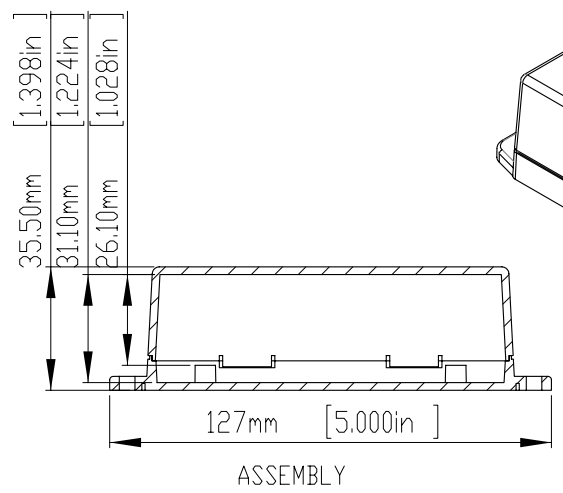
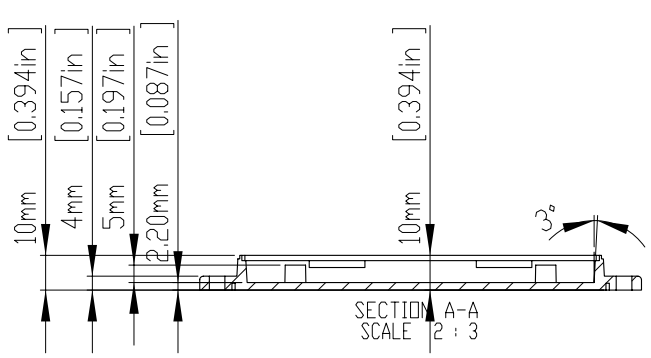
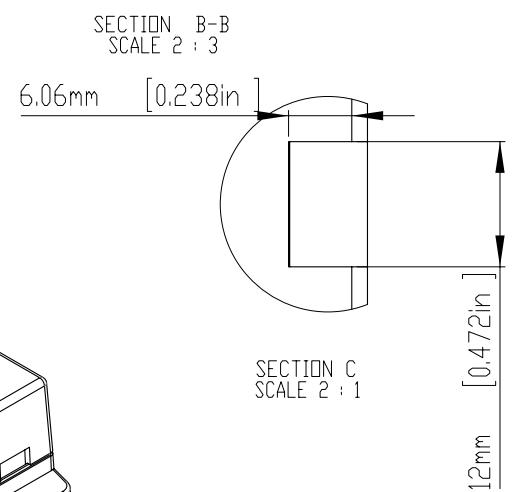


HOLE(S) (4) ARE DESIGNED FOR M2.6X6mm SELF-TAPPING SCREWS USE.
 WALL MOUNTING HOLES (2) X DIA.4.5mm FOR PAN HEAD (M4) TAPPING SCREWS USE.



According to ISO 2768-m

Measuring DIM=L	Tolerances
0.5 < L ≤ 3.0 mm	±0.1 mm
3.0 < L ≤ 6.0 mm	±0.1 mm
6.0 < L ≤ 30.0 mm	±0.2 mm
30.0 < L ≤ 120.0 mm	±0.3 mm
120.0 < L ≤ 400.0 mm	±0.5 mm
400.0 < L ≤ 1000.0 mm	±0.8 mm

ITEM	DESCRIPTION	MATERIAL	COLOR	PANTONE COLOR CORD	CLOSE TO RAL CORD
1	NUB1057035BK	ABS<UL94-HB>	BLACK	PANTONE BLACK U	RAL 9005
2	NUB1057035WH	ABS<UL94-HB>	WHITE	PANTONE 420C	RAL 9002
3	NUB1057035OR	ABS<UL94-HB>	ORANGE	PANTONE 165C	RAL 2004
4	NUB1057035RD	ABS<UL94-HB>	RED	PANTONE 186C	RAL 3027

宣又實業有限公司
GAINTA INDUSTRIES LTD.

繪圖 DRA'D BY
JACKY

日期 DATE
2013/10/01

材質 MATE.
ABS

圖名TITLE:
NUB1057035

圖號DWG NO:

版次REVISID:
A