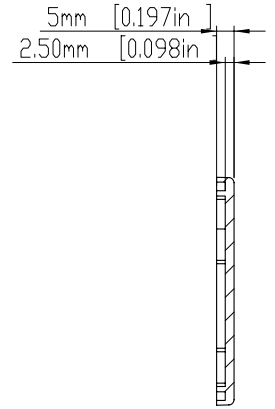
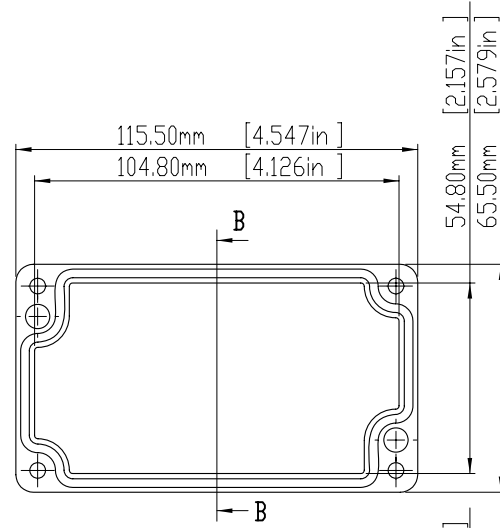
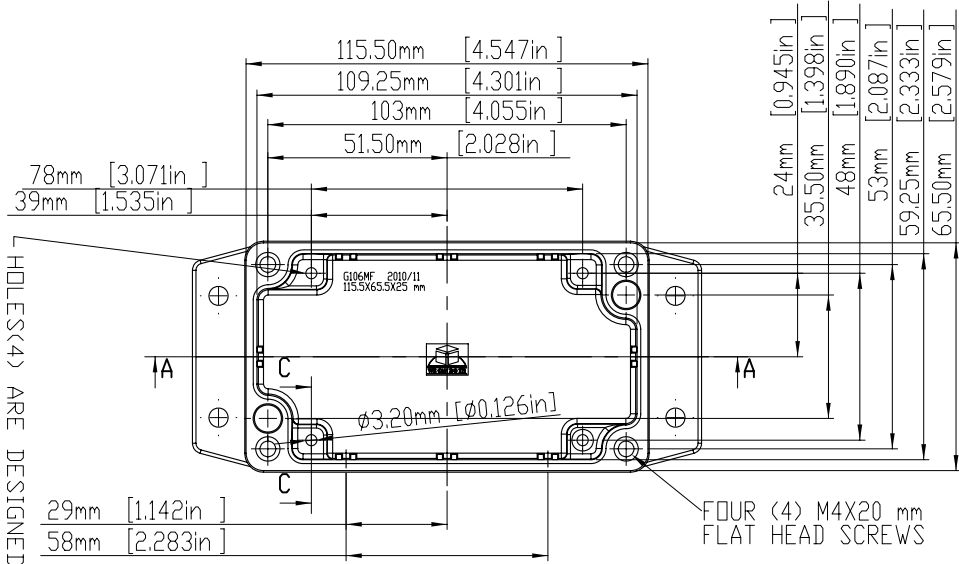
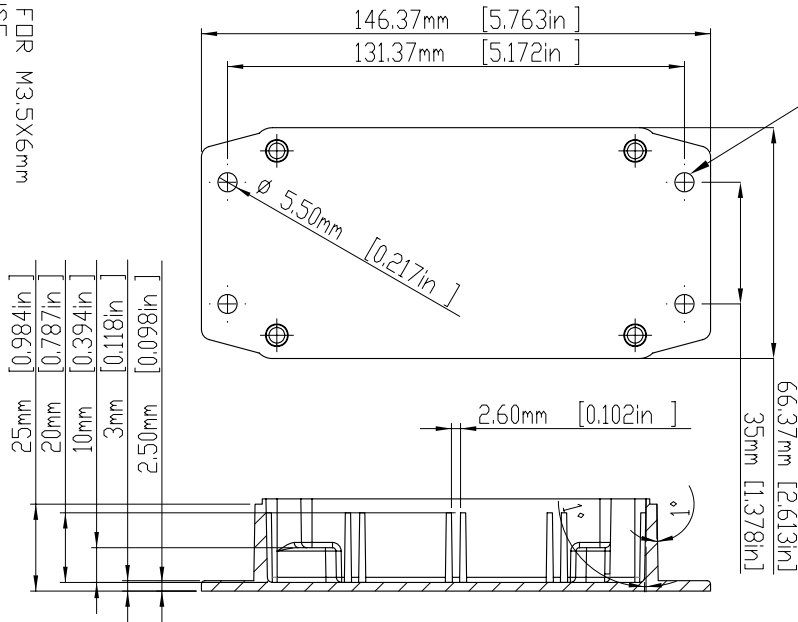


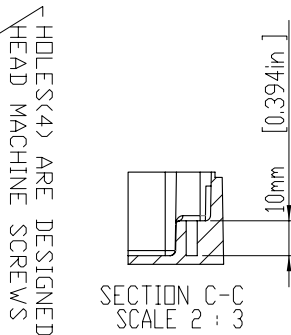
HOLE(S) ARE DESIGNED FOR M3.5X6mm SELF-TAPPING SCREWS USE.



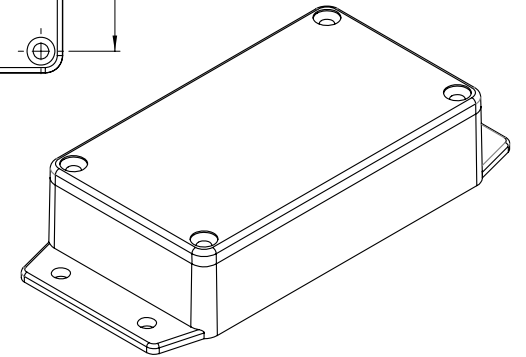
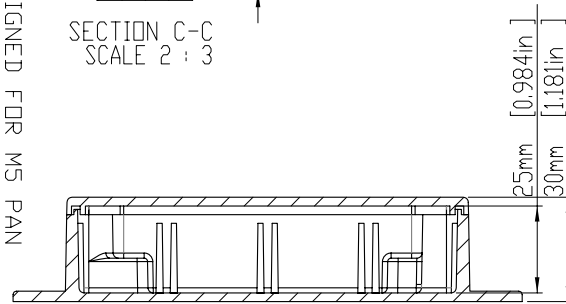
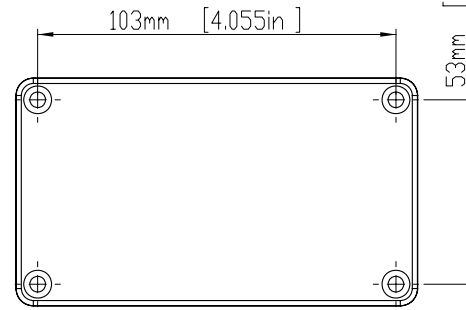
SECTION B-B  
SCALE 2 : 3



SECTION A-A  
SCALE 2 : 3



SECTION C-C  
SCALE 2 : 3



TOLERANCES: +/- 0.30 mm (+/- 0.012in)

宣又實業有限公司  
GAINTA INDUSTRIES LTD.

繪圖 DRA'D BY  
JACKY

日期 DATE  
2011/02/01

材質 MATE.  
ALUMINIUM ALLOY ADC-12

圖名 TITLE:  
G106MF

圖號 DWG NO:

版次 REVISID:  
A